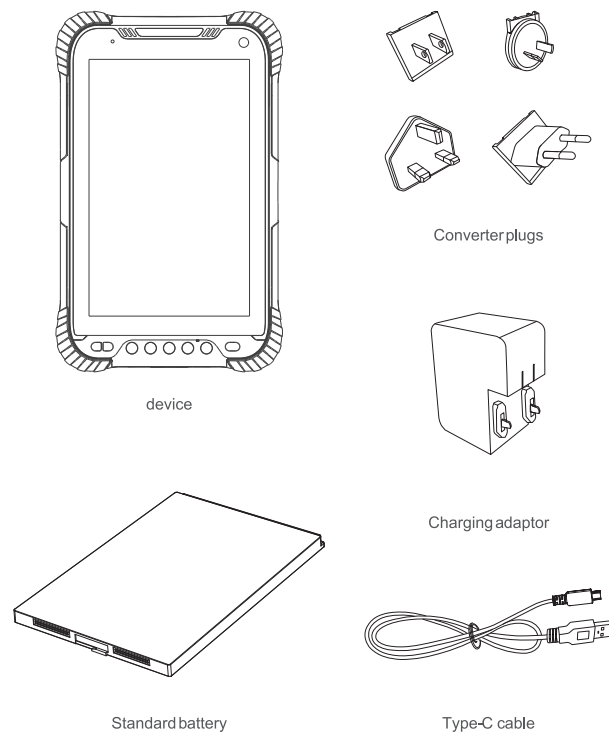
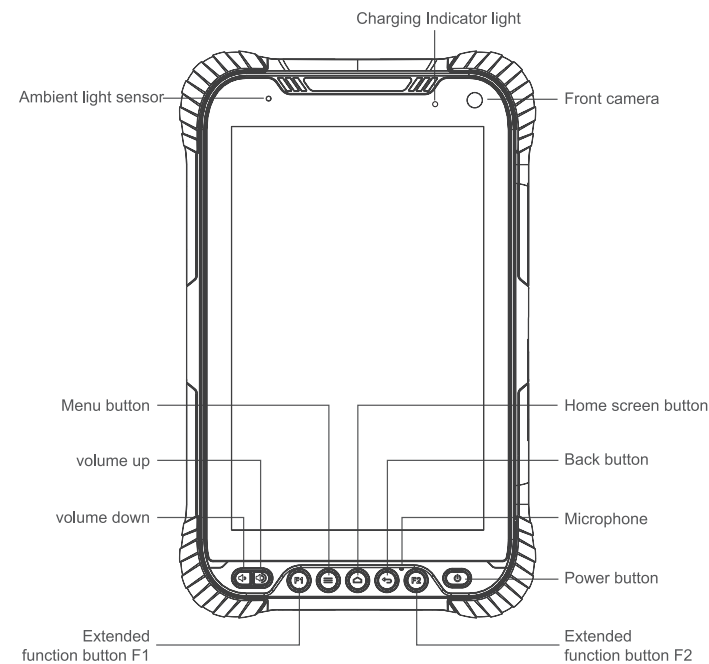


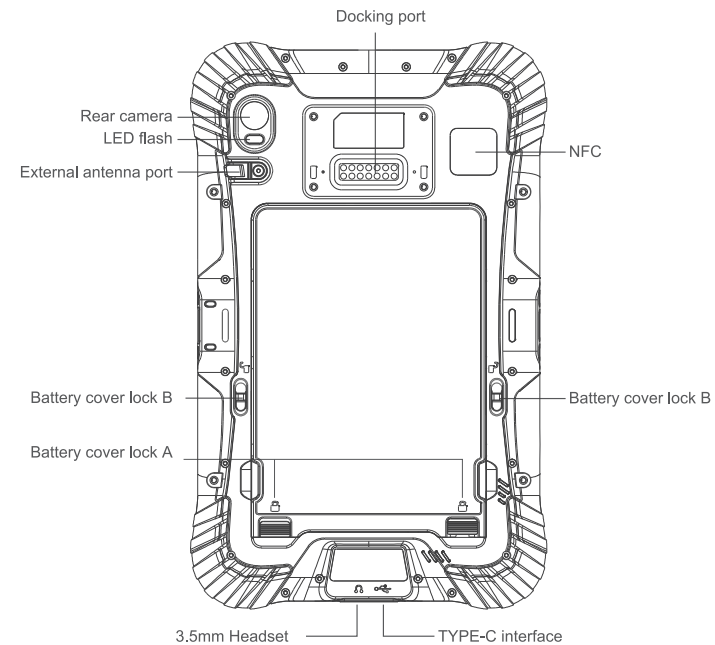
## What's in The Box



## Appearance overview

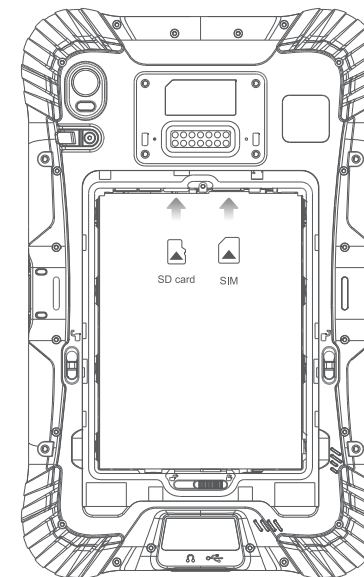


## Appearance overview



## Sim/micro SD Card

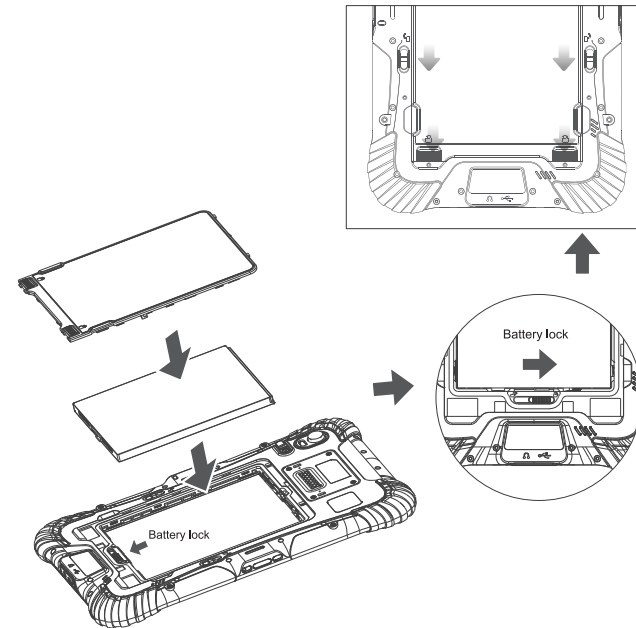
This is how you insert and remove the Nano SIM/micro SD.



## Insert Battery

### To insert the battery

1. Insert the battery
2. Push the battery lock to the close position
3. Attach the battery cover
4. Push the battery cover lock to the close position



## Remove Battery

### To remove the battery

1. Power off the device before removing the battery
2. Push the battery cover lock to the open position
3. Detach the battery cover
4. Push the battery lock to the open position
5. Remove the battery

